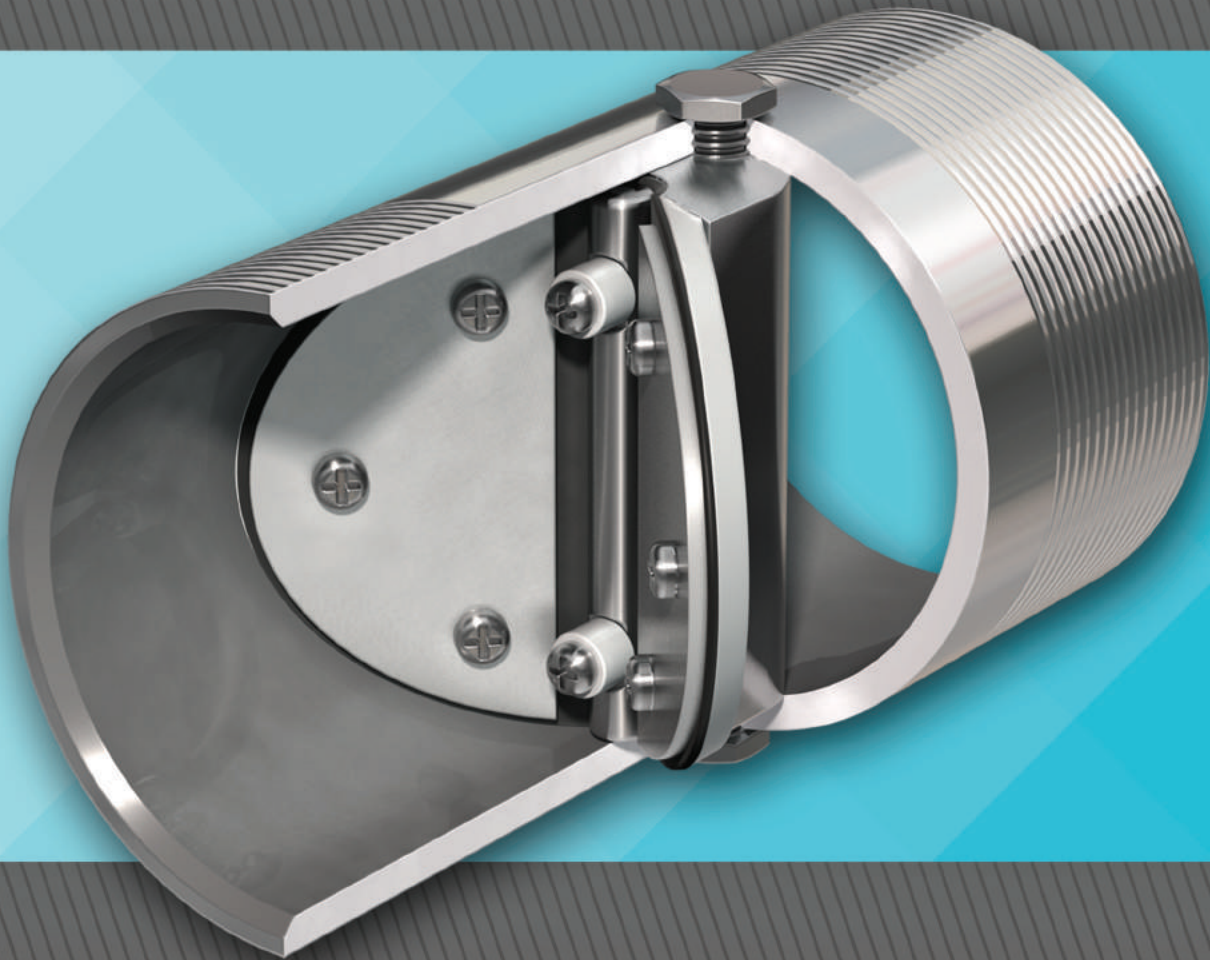


TECHNO Male-Threaded, Grooved and Plain End Check Valves

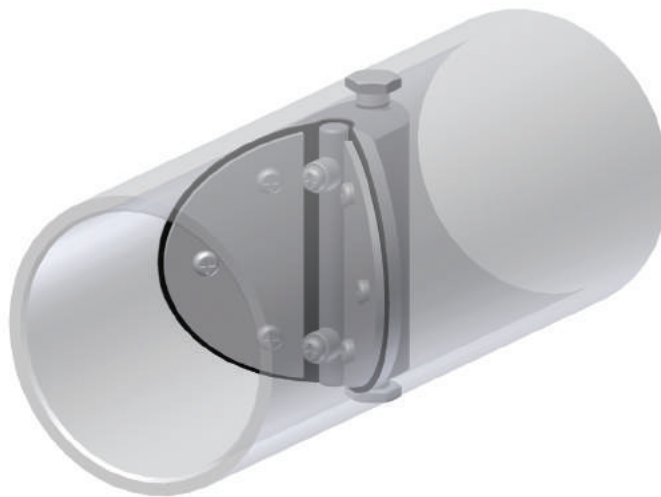
Low pressure loss, lightweight design with compact construction



TECHNO Male-Threaded, Grooved and Plain End Check Valves

DESIGN FEATURES

- Stationary hinge-post and hinge-clamp design reduces wear to hinges, pins, valve seats, springs and the need for routine maintenance.
- The valve plate design reduces travel from a fully open to fully closed position and provides complete metal-to-metal valve plate structural support, resulting in a non-slam, quick closure feature.
- Our unique flexible elastomer seal provides final closure around the valve bore with continuous strength and durability to ensure prolonged cycle life, outwearing traditional metal-seated valves.



Technologically Advanced Internal Design

Engineered elastomers, developed for durability beyond the range of ordinary elastomers, provide the hinge and the seal in our unique patented TECHNO design. These tough, flexible, reinforced elastomers are resistant to liquids, gases, steam, chemicals, oil and fuel. The strength and durability of these elastomers prolongs life cycle. The unique resilient seal also provides tight shutoff.

Inherent features include:

- Large free area with resulting low pressure loss
- High sealing integrity from the continuous seal design
- Reduced noise and wear by elimination of
- metal-to-metal rotating parts
- Stable operation under a wide range of flow rates

Cost-Efficient, Reliable, Seatless Check Valves

TECHNO has been a leading supplier of high-quality check valves to the industry for many years. A large number of TECHNO products are presently in service, demonstrating a superior performance record.

The TECHNO check valve design enables flexibility in body configurations. In addition to providing male-threaded ends, grooved ends and plain ends, we can supply a combination of end configurations to satisfy your specific requirements. Custom end-to-end dimensions also can be provided upon request.



Male-Threaded Ends

Style	Body	Internals	Cold Working Pressure (psi)
5002-AL	Aluminum	Aluminum	50
5002-BR	Brass	Brass	150
5002-316	316 Stainless Steel	316 Stainless Steel	150
5002 Class A	Steel	Aluminum	150
5002 Class D	Steel	316 Stainless Steel	150

Available in sizes 1" to 12" diameter.



Grooved Ends

Style	Body	Internals	Cold Working Pressure (psi)
5103-AL-V	Aluminum	Aluminum	50
5103-V	Steel	Aluminum	150
5103-316-V	316 Stainless Steel	316 Stainless Steel	150

Available in sizes 1" to 12" diameter.



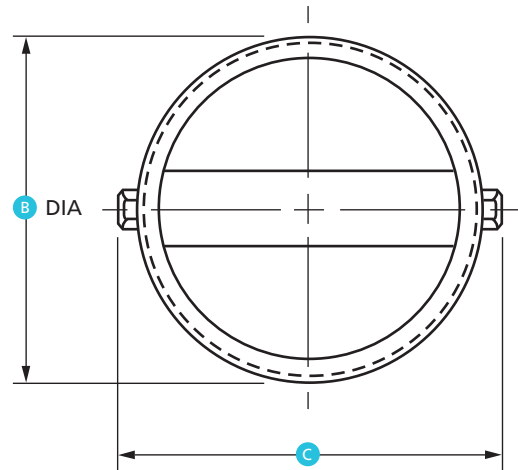
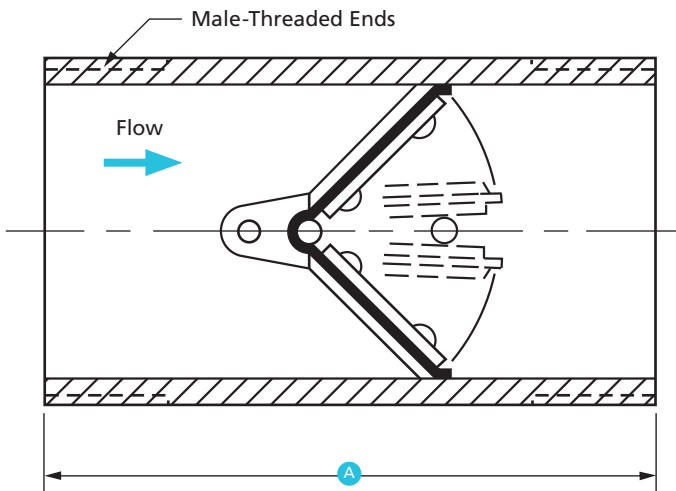
Plain Ends

Style	Body	Internals	Cold Working Pressure (psi)
5104-AL-P	Aluminum	Aluminum	50
5104-P	Steel	Aluminum	150
5104-316-P	316 Stainless Steel	316 Stainless Steel	150

Available in sizes 1" to 12" diameter.

The above style valves are furnished with Buna-N as standard. Combination end configurations also are available.

TECHNO CHECK STYLE 5002 MALE-THREADED ENDS



General Dimensions for Style 5002

Valve Size (in.)	A	B	C
1	3-1/2	1.315	1-5/8
1-1/4	3-1/2	1.660	2
1-1/2	4	1.900	2-1/4
2	4	2-3/8	2-3/4
2-1/2	5	2-7/8	3-1/4
3	5-1/2	3-1/2	3-7/8
4	6	4-1/2	4-7/8
5	7	5-9/16	6-1/8
6	8	6-5/8	7-1/8
8	10	8-5/8	9-1/2
10	12	10-3/4	11-1/2
12	14	12-3/4	13-3/4

All dimensions are in inches.
For weights by model, see page 9.

Available Materials

Internal Materials

- Aluminum
- 316 Stainless Steel
- Brass

Sealing Member Materials

MATERIAL	TEMPERATURE RANGE*
• Buna-N	-60° F to 225° F (-51° C to 107° C)
• EPDM	-40° F to 300° F (-40° C to 149° C)
• FKM (Viton®)	-20° F to 400° F (-29° C to 204° C)
• Silicone	-100° F to 500° F (-73° C to 260° C)

* This temperature range is for general guidance.
The figures may vary with application.

Spring(s) Are Optional.

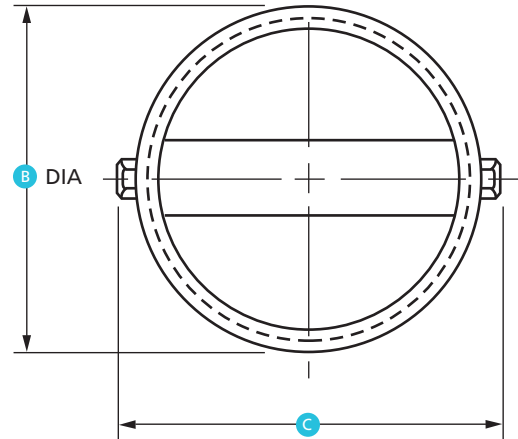
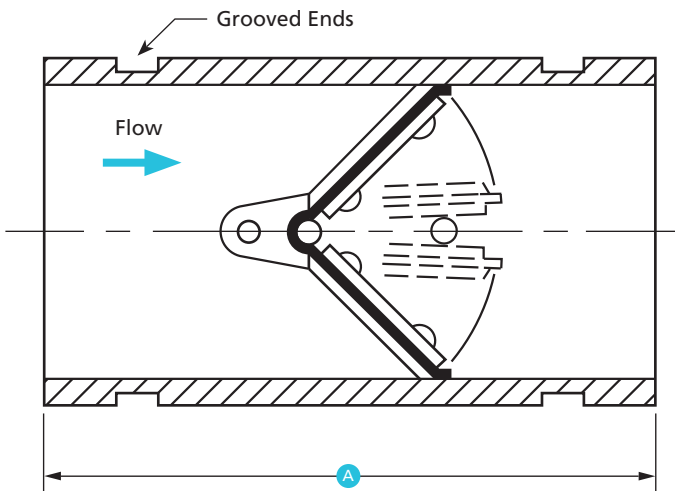
- Material is 302 Stainless Steel.

Standard Models and Materials

Style	Body	Internals	Cold Working Pressure (psi)
5002-AL	Aluminum	Aluminum	50
5002-BR	Brass	Brass	150
5002-316	316 Stainless Steel	316 Stainless Steel	150
5002 Class A	Steel	Aluminum	150
5002 Class D	Steel	316 Stainless Steel	150

Standard Elastomer: Buna-N

TECHNO CHECK STYLE 5103 GROOVED ENDS



General Dimensions for Style 5103

Valve Size (in.)	A	B	C
1	5-3/4	1.315	1-5/8
1-1/4	5-3/4	1.660	2
1-1/2	5-3/4	1.900	2-1/4
2	5-3/4	2-3/8	2-3/4
2-1/2	5-3/4	2-7/8	3-1/4
3	5-3/4	3-1/2	3-7/8
4	6-3/4	4-1/2	4-7/8
5	7-3/4	5-9/16	6-1/8
6	8-3/4	6-5/8	7-1/8
8	10-3/4	8-5/8	9-1/2
10	12-3/4	10-3/4	11-1/2
12	14-3/4	12-3/4	13-3/4

All dimensions are in inches.
For weights by model, see page 9.

Available Materials

Internal Materials

- Aluminum
- 316 Stainless Steel

Sealing Member Materials

MATERIAL	TEMPERATURE RANGE*
• Buna-N	-60° F to 225° F (-51° C to 107° C)
• EPDM	-40° F to 300° F (-40° C to 149° C)
• FKM (Viton)	-20° F to 400° F (-29° C to 204° C)
• Silicone	-100° F to 500° F (-73° C to 260° C)

* This temperature range is for general guidance.
The figures may vary with application.

Spring(s) Are Optional.

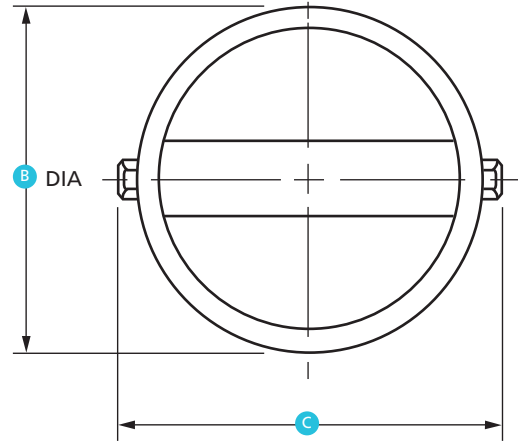
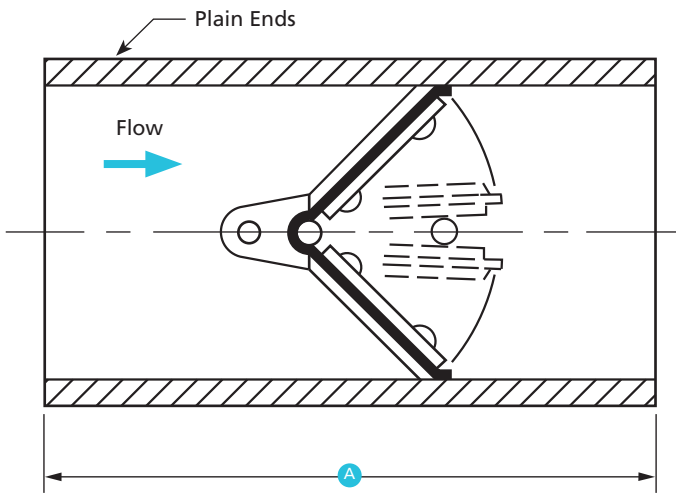
- Material is 302 Stainless Steel.

Standard Models and Materials

Style	Body	Internals	Cold Working Pressure (psi)
5103-AL-V	Aluminum	Aluminum	50
5103-V	Steel	Aluminum	150
5103-316-V	316 Stainless Steel	316 Stainless Steel	150

Standard Elastomer: Buna-N

TECHNO CHECK STYLE 5104 PLAIN ENDS



General Dimensions for Style 5104

Valve Size (in.)	A	B	C
1	5-3/4	1.315	1-5/8
1-1/4	5-3/4	1.660	2
1-1/2	5-3/4	1.900	2-1/4
2	5-3/4	2-3/8	2-3/4
2-1/2	5-3/4	2-7/8	3-1/4
3	5-3/4	3-1/2	3-7/8
4	6-3/4	4-1/2	4-7/8
5	7-3/4	5-9/16	6-1/8
6	8-3/4	6-5/8	7-1/8
8	10-3/4	8-5/8	9-1/2
10	12-3/4	10-3/4	11-1/2
12	14-3/4	12-3/4	13-3/4

All dimensions are in inches.
For weights by model, see page 9.

Available Materials

Internal Materials

- Aluminum
- 316 Stainless Steel

Sealing Member Materials

MATERIAL	TEMPERATURE RANGE*
• Buna-N	-60° F to 225° F (-51° C to 107° C)
• EPDM	-40° F to 300° F (-40° C to 149° C)
• FKM (Viton)	-20° F to 400° F (-29° C to 204° C)
• Silicone	-100° F to 500° F (-73° C to 260° C)

* This temperature range is for general guidance.
The figures may vary with application.

Spring(s) Are Optional.

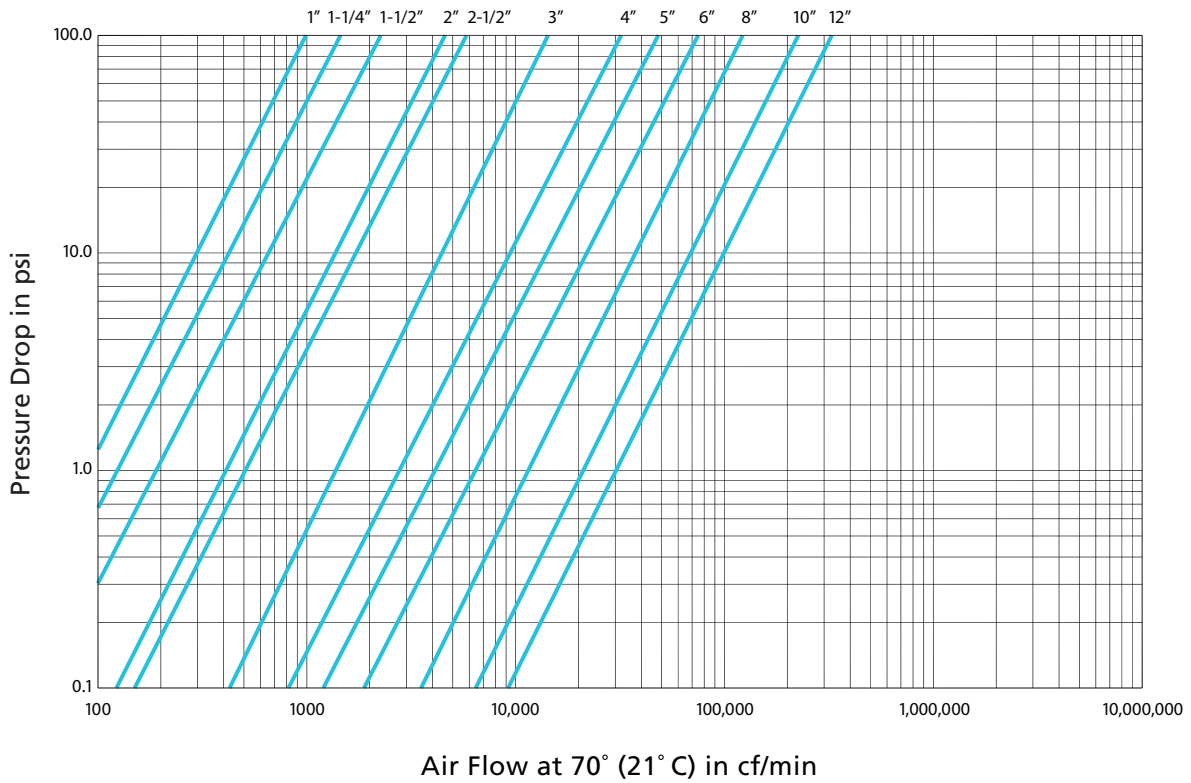
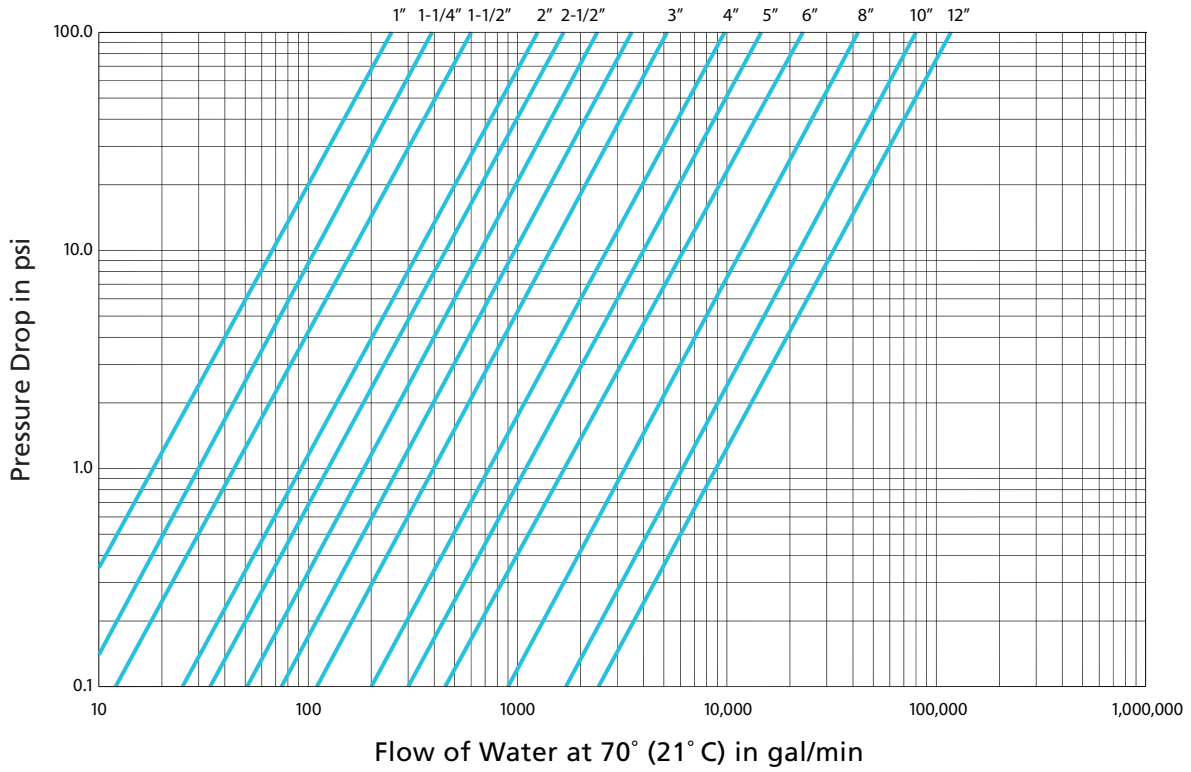
- Material is 302 Stainless Steel.

Standard Models and Materials

Style	Body	Internals	Cold Working Pressure (psi)
5104-AL-P	Aluminum	Aluminum	50
5104-P	Steel	Aluminum	150
5104-316-P	316 Stainless Steel	316 Stainless Steel	150

Standard Elastomer: Buna-N

PRESSURE DROP CHARTS FOR WATER AND AIR SERVICE





Tel: (410) 636-3380

Fax: (410) 789-1009

www.techno valve.com