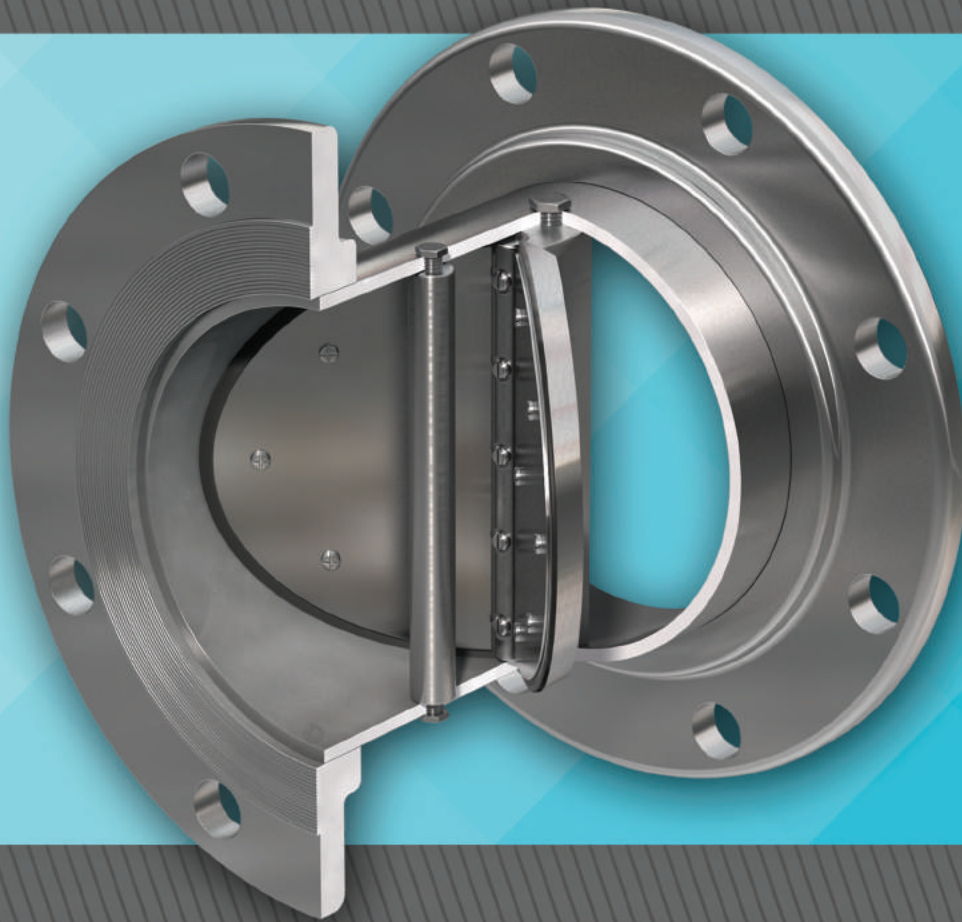




TECHNOVALVES

TECHNO Full-Flanged Check Valves

Lightweight, seatless design provides virtually no pressure loss across the valve, reducing wear and resistance to flow

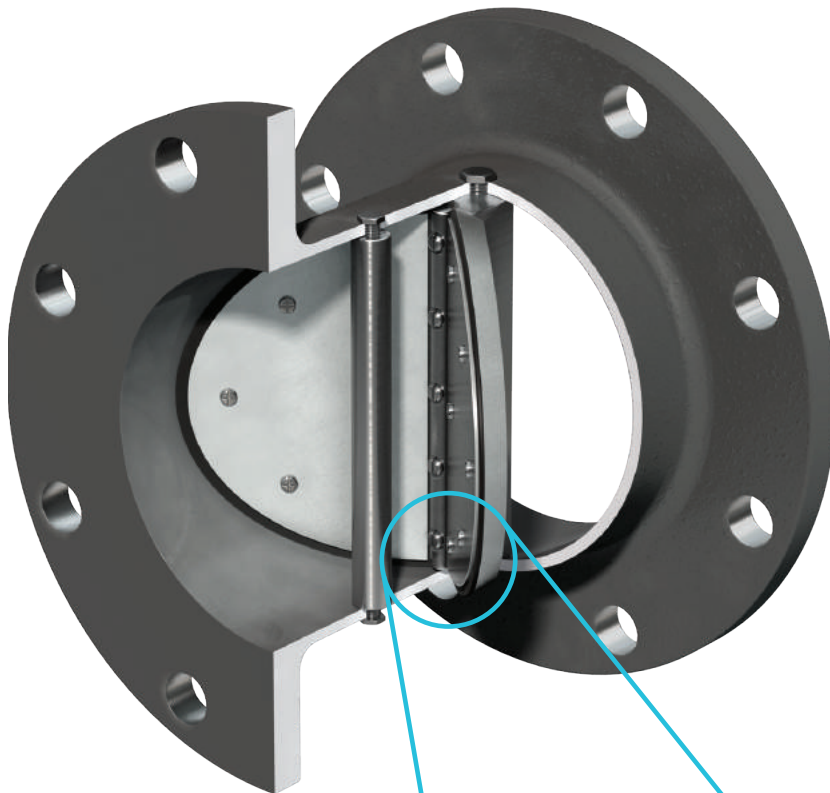


TECHNO Full-Flanged Check Valves

DESIGN FEATURES

TECHNO™ full-flanged check valves offer the following features:

- For the most efficient piping layout, the check valve can be mounted in almost any position.
- Unrestricted full-port seatless design provides free flowthrough with virtually no pressure loss.
- The stationary hinge-post and hinge-clamp designs reduce wear to hinges, pins, valve seats and springs.



Unique Flexible Elastomer Seal

Continuous elastomer seal provides closure around valve bore with the strength and durability to ensure prolonged life cycle, outwearing traditional metal-seated valves.

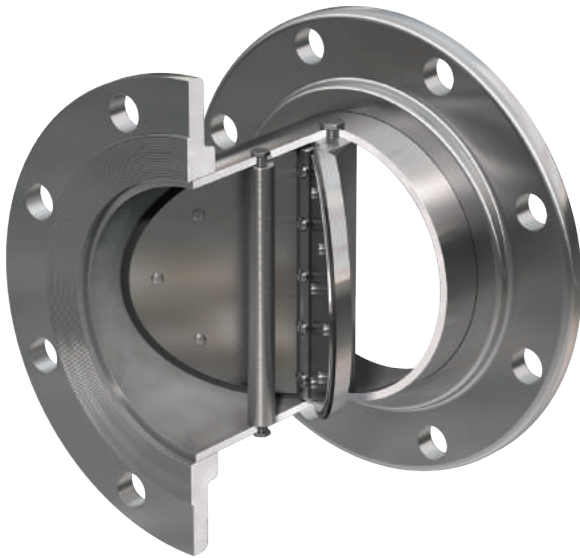
Non-Slam Quick-Closure Feature

The valve plate design reduces travel from fully open to fully closed position and offers complete metal-to-metal valve plate structural support.

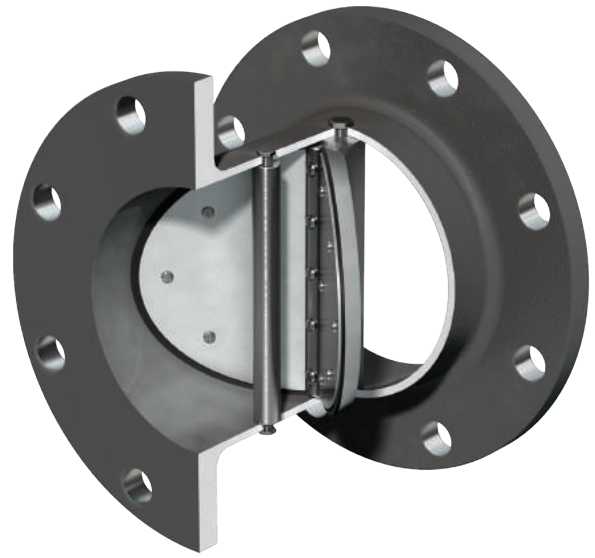
TECHNO CHECK STYLE 5003, 5003-316, 5004-CIL, 5004-CAL, 5102 AND 5107

TECHNO has been a leading supplier of high-quality check valves for many years. Thousands of TECHNO products are presently in service, demonstrating a superior performance record.

With an extensive selection of available materials, our check valves provide high performance and reliability for most liquid or gas applications.



Style 5003

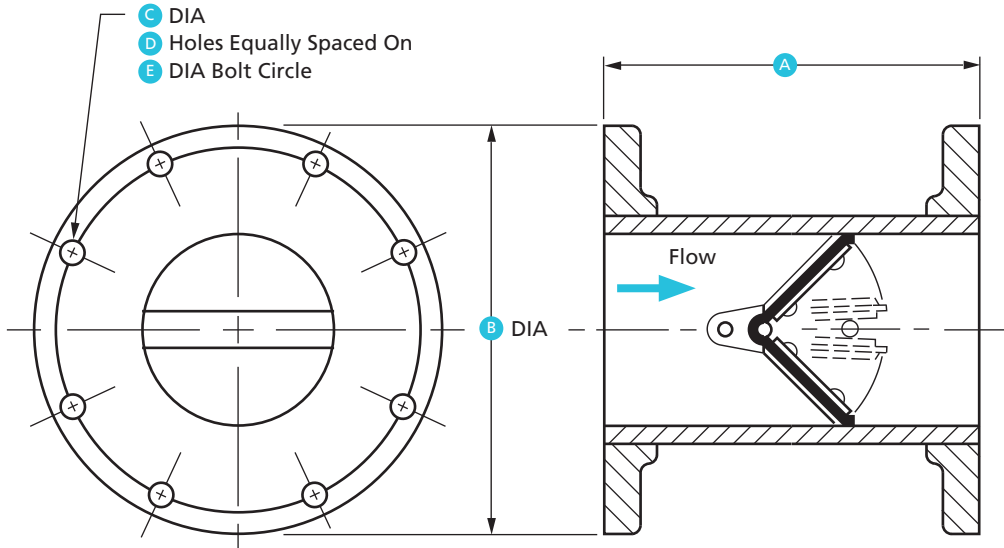


Style 5004

Standard Models and Materials

Style	Body	Internals	Flange Series	Cold Working Pressure (psi)
5003	Carbon Steel	316 Stainless Steel	150	150
5003-316	316 Stainless Steel	316 Stainless Steel	150	150
5004 CIL	Cast Iron Lightweight	Aluminum	125	50
5004 CAL	Cast Aluminum Lightweight	Aluminum	125	50
5102	Carbon Steel Lightweight	Aluminum	125	150
5107	Carbon Steel	316 Stainless Steel	300	300

TECHNO CHECK STYLE 5003 WITH 150# FLANGED ENDS



General Dimensions for Style 5003

Valve Size (in.)	A	B	C	D	E
1	3	4-1/4	5/8	4	3-1/8
1-1/4	4-1/2	4-5/8	5/8	4	3-1/2
1-1/2	4-1/2	5	5/8	4	3-7/8
2	4-1/2	6	3/4	4	4-3/4
2-1/2	5	7	3/4	4	5-1/2
3	5	7-1/2	3/4	4	6
4	5-1/2	9	3/4	8	7-1/2
5	6	10	7/8	8	8-1/2
6	7	11	7/8	8	9-1/2
8	9	13-1/2	7/8	8	11-3/4
10	11	16	1	12	14-1/4
12	13	19	1	12	17
14	15	21	1-1/8	12	18-3/4
16	17	23-1/2	1-1/8	16	21-1/4
18	19	25	1-1/4	16	22-3/4
20	21	27-1/2	1-1/4	20	25
24	25	32	1-3/8	20	29-1/2
30	31	38-3/4	1-3/8	28	36
36	37	46	1-5/8	32	42-3/4
42	43	53	1-5/8	36	49-1/2
48	49	59-1/2	1-5/8	44	56

All dimensions are in inches.
For sizes above 14", see Style 5003 or 5102.

Standard Models and Materials

Style	Body	Internals*	Cold Working Pressure (psi)
5003	Steel	316 Stainless Steel	150
5003-316	316 Stainless Steel	316 Stainless Steel	150

* Standard Elastomer: Buna-N

Optional Materials Selection

Internal Materials

- Aluminum
- Brass
- 316 Stainless Steel

Sealing Member Materials

MATERIAL TEMPERATURE RANGE*

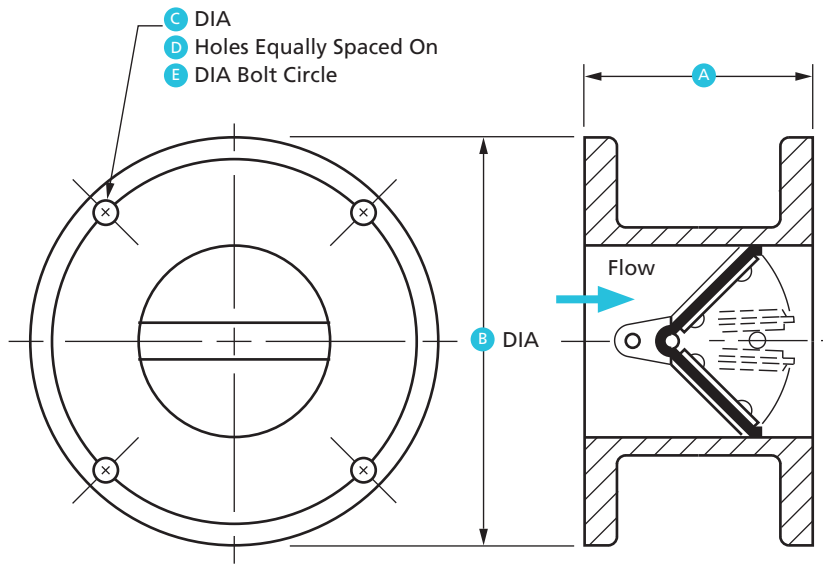
- Buna-N -60° F to 225° F (-51° C to 107° C)
- EPDM -40° F to 300° F (-40° C to 149° C)
- Viton® -20° F to 400° F (-29° C to 204° C)
- Silicone -100° F to 500° F (-73° C to 260° C)

* This temperature range is for general guidance.
The figures may vary with application.

Spring Material

- 302 Stainless Steel

TECHNO CHECK STYLE 5004-CIL AND 5004-CAL WITH 125# FLANGED ENDS



General Dimensions for Style 5004-CIL and 5004-CAL

Valve Size (in.)	A	B	C	D	E
2	4-1/2	6	3/4	4	4-3/4
2-1/2	5	7	3/4	4	5-1/2
3	5	7-1/2	3/4	4	6
4	5-1/2	9	3/4	8	7-1/2
5	6	10	7/8	8	8-1/2
6	7	11	7/8	8	9-1/2
8	9	13-1/2	7/8	8	11-3/4
10	11	16	1	12	14-1/4
12	13	19	1	12	17
14	15	21	1-1/8	12	18-3/4

All dimensions are in inches.
For sizes above 14", see Style 5003 or 5102.

Standard Models and Materials

Style	Body	Internals*	Cold Working Pressure (psi)
5004-CIL	Cast Iron Lightweight	Aluminum	50
5004-CAL	Cast Aluminum Lightweight	Aluminum	50

* Standard Elastomer: Buna-N

Optional Materials Selection

Internal Materials

- Aluminum
- Brass
- 316 Stainless Steel

Sealing Member Materials

MATERIAL TEMPERATURE RANGE*

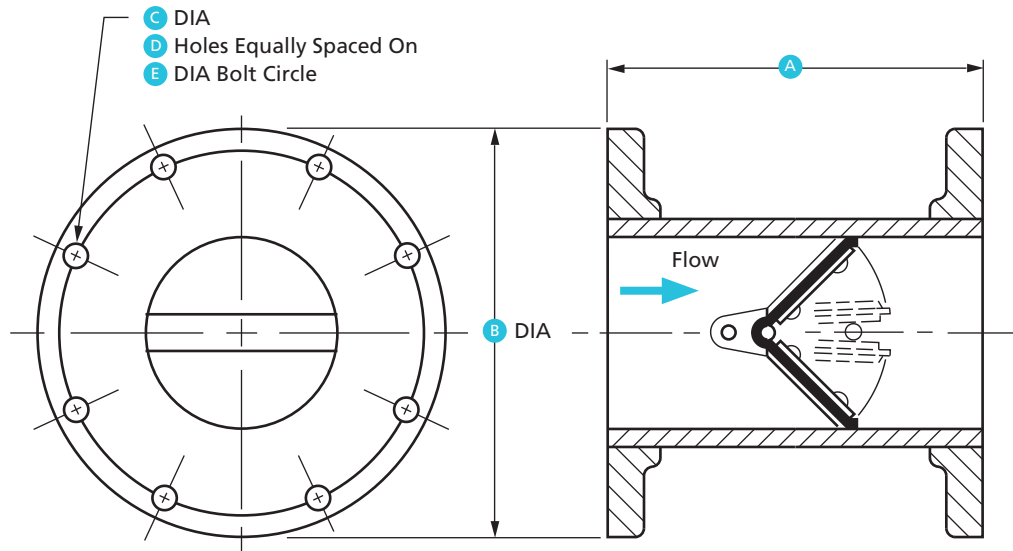
- Buna-N -60° F to 225° F (-51° C to 107° C)
- EPDM -40° F to 300° F (-40° C to 149° C)
- Viton -20° F to 400° F (-29° C to 204° C)
- Silicone -100° F to 500° F (-73° C to 260° C)

* This temperature range is for general guidance.
The figures may vary with application.

Spring Material

- 302 Stainless Steel

TECHNO CHECK STYLE 5102 WITH 125# FLANGED ENDS



General Dimensions for Style 5102

Valve Size (in.)	A	B	C	D	E
3	5	7 1/2	3/4	4	6
4	5-1/2	9	3/4	8	7-1/2
5	6	10	7/8	8	8-1/2
6	7	11	7/8	8	9-1/2
8	9	13-1/2	7/8	8	11-3/4
10	11	16	1	12	14-1/4
12	13	19	1	12	17
14	15	21	1-1/8	12	18-3/4
16	17	23-1/2	1-1/8	16	21-1/4
18	19	25	1-1/4	16	22-3/4
20	21	27-1/2	1-1/4	20	25
24	25	32	1-3/8	20	29-1/2
30	31	38-3/4	1-3/8	28	36
36	37	46	1-5/8	32	42-3/4

All dimensions are in inches.

Standard Models and Materials

Style	Body	Internals*	Cold Working Pressure (psi)
5102	Steel Lightweight	Aluminum	150

* Standard Elastomer: Buna-N

Optional Materials Selection

Internal Materials

- Aluminum
- Brass
- 316 Stainless Steel

Sealing Member Materials

MATERIAL TEMPERATURE RANGE*

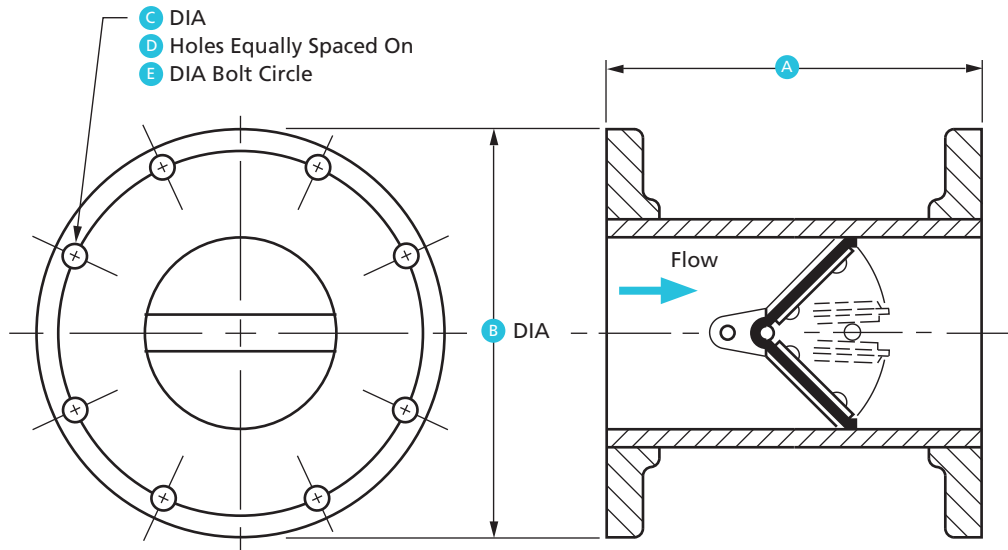
- Buna-N -60° F to 225° F (-51° C to 107° C)
- EPDM -40° F to 300° F (-40° C to 149° C)
- Viton -20° F to 400° F (-29° C to 204° C)
- Silicone -100° F to 500° F (-73° C to 260° C)

* This temperature range is for general guidance.
The figures may vary with application.

Spring Material

- 302 Stainless Steel

TECHNO CHECK STYLE 5107 WITH 300# FLANGED ENDS



General Dimensions for Style 5107

Valve Size (in.)	A	B	C	D	E
1	4-1/2	4-7/8	3/4	4	3 1/2
1-1/4	4-1/2	5-1/4	3/4	4	3 7/8
1-1/2	5-1/8	6-1/8	7/8	4	4-1/2
2	5-1/8	6-1/2	3/4	8	5
2-1/2	5-5/8	7-1/2	7/8	8	5-7/8
3	6	8-1/4	7/8	8	6-5/8
4	6-5/8	10	7/8	8	7-7/8
5	7-1/4	11	7/8	8	9-1/4
6	8	12-1/2	7/8	12	10-5/8
8	10-1/2	15	1	12	13
10	12-1/2	17-1/2	1-1/8	16	15-1/4
12	14-1/2	20-1/2	1-1/4	16	17-3/4
14	16-1/2	23	1-1/4	20	20-1/4
16	18-1/2	25-1/2	1-3/8	20	22-1/2
18	20-3/4	28	1-3/8	24	24-3/4
20	24	30-1/2	1-3/8	24	27
24	27	36	1-5/8	24	32
30	35	43	1-7/8	28	39-1/4
36	41	50	2-1/8	32	46
42	47	57	2-1/8	36	52-3/4

All dimensions are in inches.

Standard Models and Materials

Style	Body	Internals*	Cold Working Pressure (psi)
5107	Steel	316 Stainless Steel	300
5107-316	316 Stainless Steel	316 Stainless Steel	300

* Standard Elastomer: Buna-N

Optional Materials Selection

Internal Materials

- Aluminum
- Brass
- 316 Stainless Steel

Sealing Member Materials

MATERIAL TEMPERATURE RANGE*

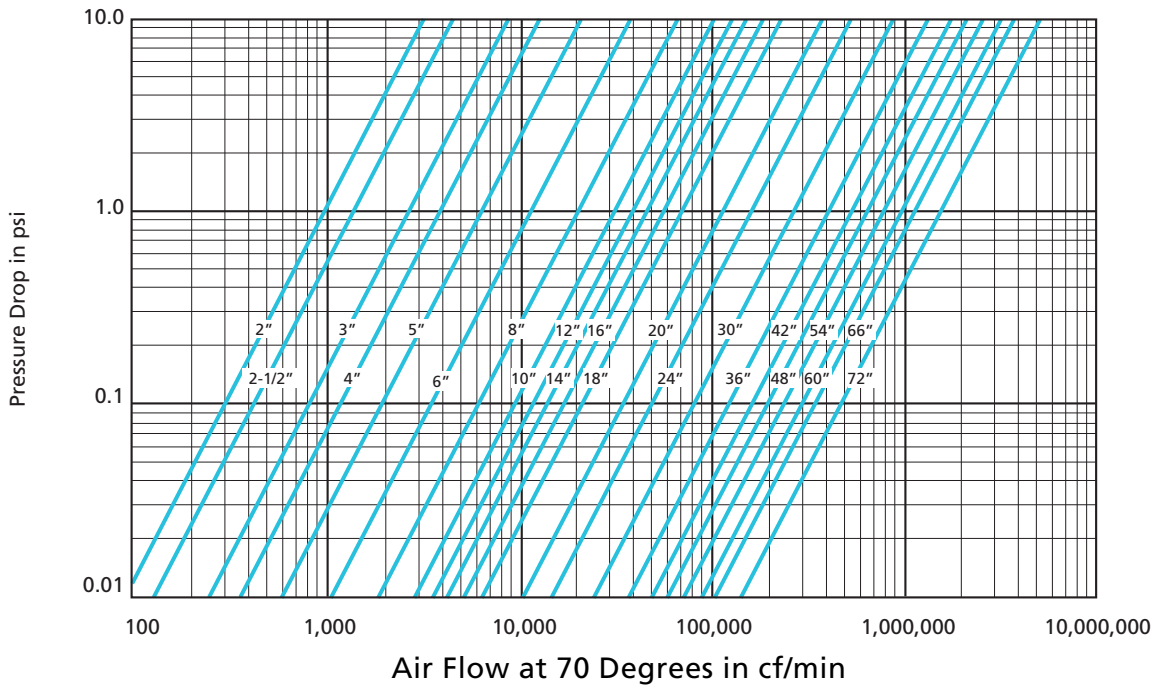
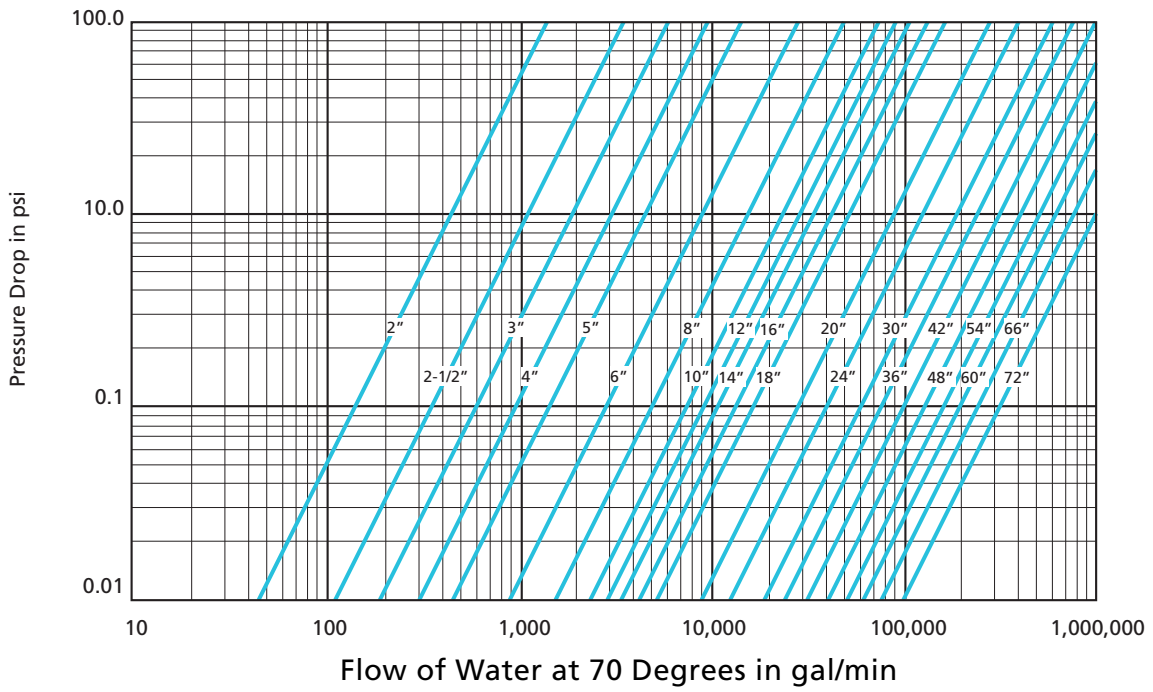
- Buna-N -60° F to 225° F (-51° C to 107° C)
- EPDM -40° F to 300° F (-40° C to 149° C)
- Viton -20° F to 400° F (-29° C to 204° C)
- Silicone -100° F to 500° F (-73° C to 260° C)

* This temperature range is for general guidance.
The figures may vary with application.

Spring Material

- 302 Stainless Steel

PRESSURE DROP CHARTS FOR WATER AND AIR SERVICE





Tel: (410) 636-3380

Fax: (410) 789-1009

www.techno valve.com